

Single Jet Water Meter 15MM - 40MM

The Single-jet water meter with dry dial counter suitable for a variety of metering applications such as:



WRAS APPROVAL NO. 2312801

- Caravan Park Installations
- Student Accommodation
- Office Building Sub-Division
- Ornamental Pond Filling
- Commercial Kitchen Monitoring
- Metering of cold potable and hot water



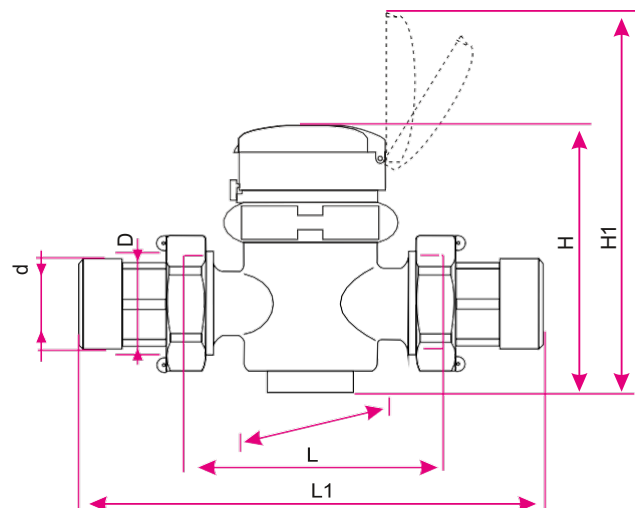
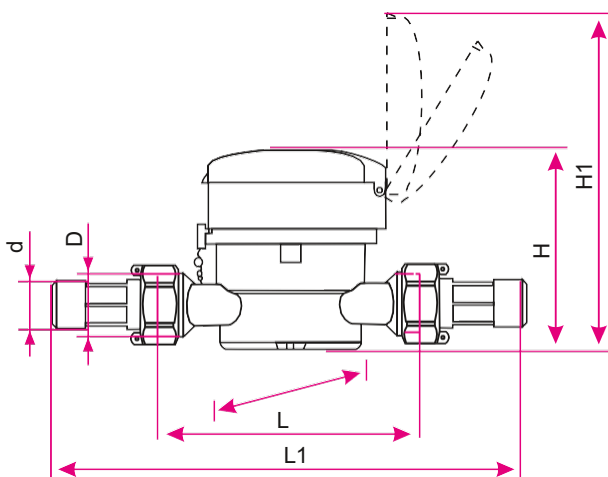
KEY FEATURES

- Single-Jet impeller meter type
- All the materials in contact with water, consciously selected by the known resistance to corrosion
- Body material of water meter is brass
- Cold water meter under current standard for lower than 30c (T30), but the Single jet Water Meter can be used safely in water temperatures up to 50c (T50)
- Hot water meter under current standard flow lower than 90C (T90)
- Maximum working pressure is 16 bar
- The rotary indicator register for the most comfortable reading position is 8 rollers and 1 pointer
- The impeller is the only moving part in contact with water giving the most reliable reading
- The application of a magnetic protection to guard against external influences
- Swivel dial of 360° ensuring accurate reading wherever the meter is sited
- BSP fittings supplied with nuts, tails and washers
- MID compliant – TCM 142/11 4854 – suitable for monitoring and billing purposes
- Approved: EN14154+A1+A2; OIML R-49:2006(E)



Standard Dial Rotates 360°

DIMENSIONS



DIMENSION SIZES

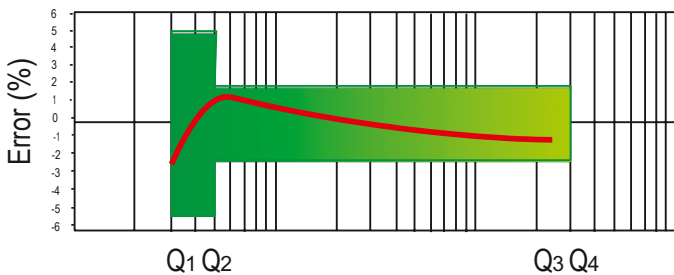
Single Jet Cold	5061034790096	5061034790126	5061034790133	5061034790140	5061034790157
Single Jet Hot	5061034790164	5061034790171	5061034790188	5061034790195	5061034790201
Size Metric	DN15	DN20	DN25	DN32	DN40
L	80	130	160	160	200
L1*	174	234	280	284	331
D	G3/4B	G3/4B	G1B	G1-1/4B	G2B
d	R 1/2	R 3/4	R 1	R 1 1/4	R 1 1/2
H	84.5	84.5	106	106	123
H1	145.5	145.5	167	167	184
W	81.5	81.5	84	84	110

Size	DN	DN15	DN20	DN25	DN32	DN40
R	Q3 / Q1	R80 for Horizontal Installation				
Q4	m ³ /h	3.125	5	7.875	12.5	20
Q3	m ³ /h	2.5	4	6.3	10	16
Q2	l/h	50	80	126	200	320
Q1	l/h	31.25	50	78.75	125	200
Max. Reading	m ³	9999.9999				
Min. Reading	Litre	0.02				
Pressure Loss	ÄP	ÄP <63 at Q3				
Max. Pressure	MAP	MAP16				
Max. Temperature	T	T30 or T50 or T90 or T30/T90				

L1*: the total length with connection and the gasket without compression

MAX. PERMISSION ERROR

From Q1 inclusive up to and excluding Q2 is +/- 5%
 From Q2 inclusive up to and including Q4 is +/- 2% for T30 and +/- 3% for > T50;



PULSE VALUE

15mm	1/2"	1 Pulse per 1 Litre
20mm	3/4"	1 Pulse per 1 Litre
25mm	1"	1 Pulse per 1 Litre
30mm	1 1/4"	1 Pulse per 10 Litre
40mm	1 1/2"	1 Pulse per 10 Litre

PULSED VERSION

- The pulsed version consists of a plastic housing with Reed Switch and 1.5m cable with 2 cores in red and black 5061034791567.
- Electric Data: V/A = 24 AC/DC, I_{max} - 0.01A
- Capacity of the pulse output pre-equipped

EXTENDED SINGLE JET PULSE CABLES



- 5061034791574 5 meters
- 5061034791581 10 meters
- 5061034791598 20 meters
- 5061034791604 50 meters